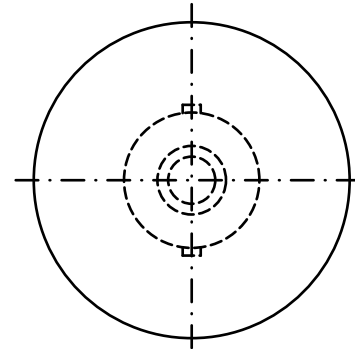
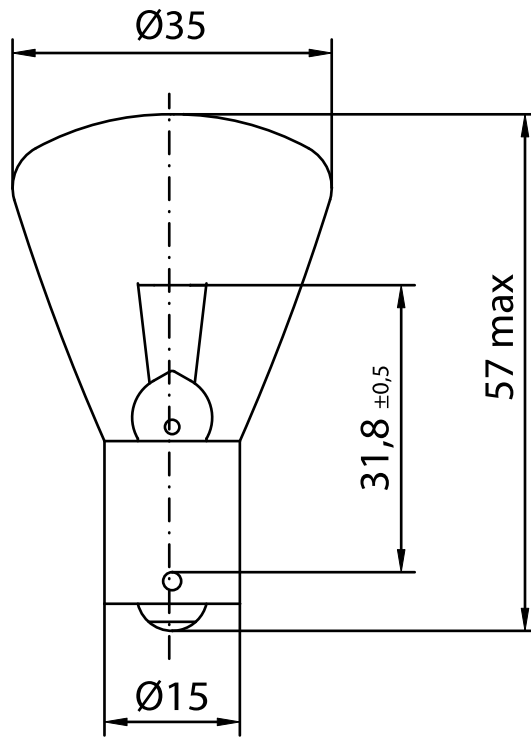
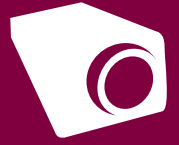


INDUSTRIAL SPECIALTY LIGHTING

Industrial Projection - Datasheet



MEDICAL LAMPS - 6V 15W BA15s DR. FISCHER

PRODUCT NUMBER **397845001** []

Tol.

VOLTAGE	6	V
WATTAGE	15	W
LUMEN OUTPUT	175	LM
LUMEN PRO WATT	11.6	LM/W
AVERAGE LIFE	1500	H
BASE	BA15s	/

REMARKS

BRAND DR. FISCHER



MEDICAL



ENTERTAINMENT



TRAFFIC



MARINE



RAILWAY



AIRFIELD



VARIOUS



TAILOR MADE



IR / UV



PROJECTION