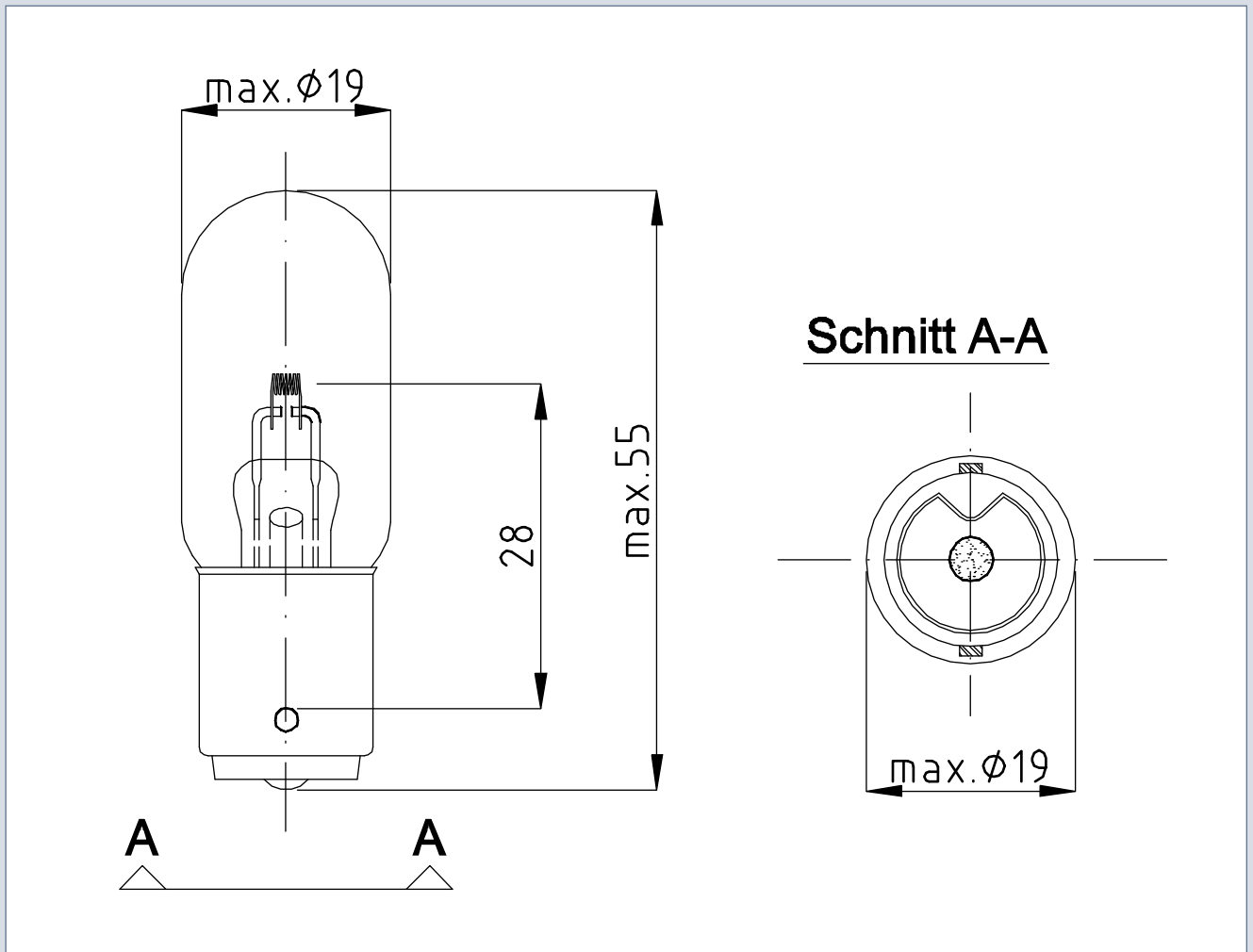
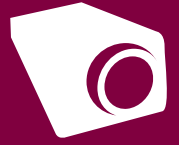


INDUSTRIAL SPECIALTY LIGHTING

Industrial Projection - Datasheet



MEDICAL LAMPS - 6V 5A BA15s 8128

PRODUCT NUMBER **397843403** []

Tol.

VOLTAGE	6	V
WATTAGE	30	W
LUMEN OUTPUT		LM
LUMEN PRO WATT		LM/W
AVERAGE LIFE	50	H
BASE	BA15s	/
REMARKS	8128	
BRAND	DR. FISCHER	



MEDICAL



ENTERTAINMENT



TRAFFIC



MARINE



RAILWAY



AIRFIELD



VARIOUS



TAILOR MADE



IR / UV



PROJECTION