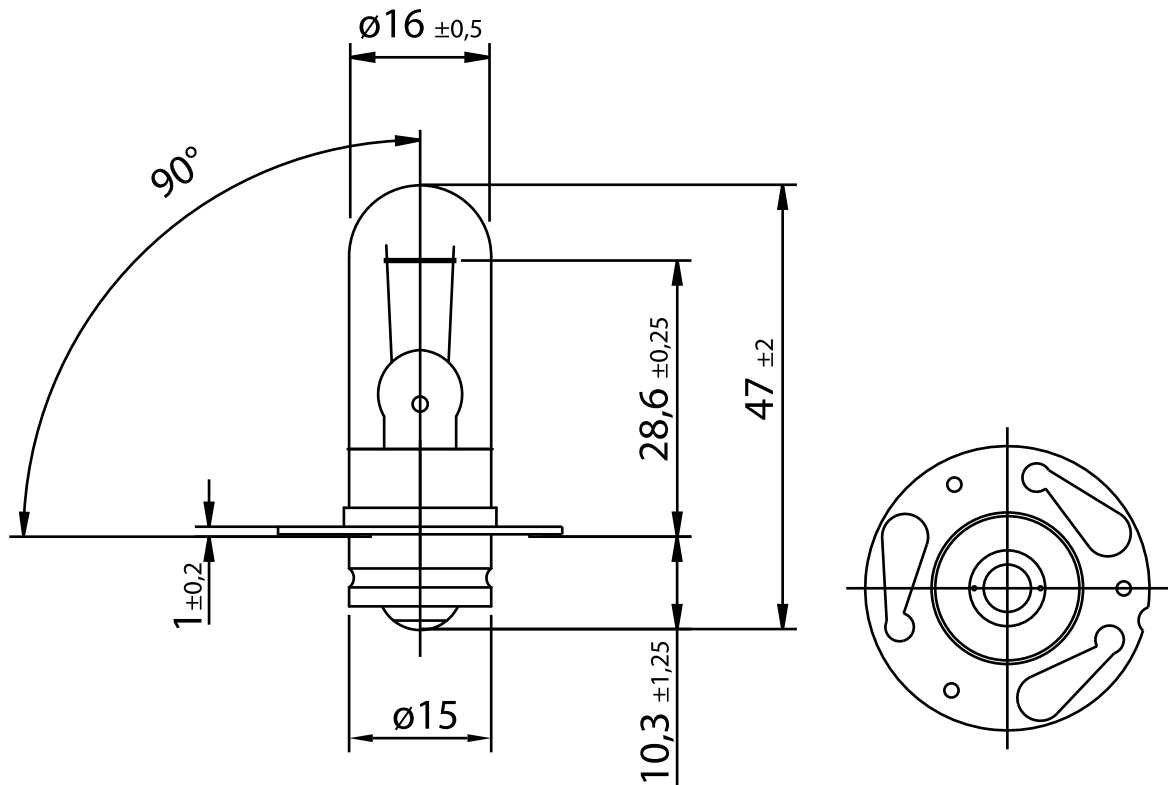
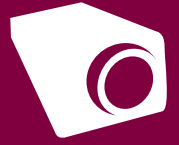


INDUSTRIAL SPECIALTY LIGHTING

Industrial Projection - Datasheet



MEDICAL LAMPS - 6V 6W SX15s DR. FISCHER

PRODUCT NUMBER **397843399** []

Tol.

VOLTAGE	6	V
WATTAGE	6	W
LUMEN OUTPUT	65 MIN	LM
LUMEN PRO WATT	12.3	LM/W
AVERAGE LIFE	100	H
BASE	Sx15s	/

REMARKS

BRAND DR. FISCHER



MEDICAL



ENTERTAINMENT



TRAFFIC



MARINE



RAILWAY



AIRFIELD



VARIOUS



TAILOR MADE



IR / UV



PROJECTION