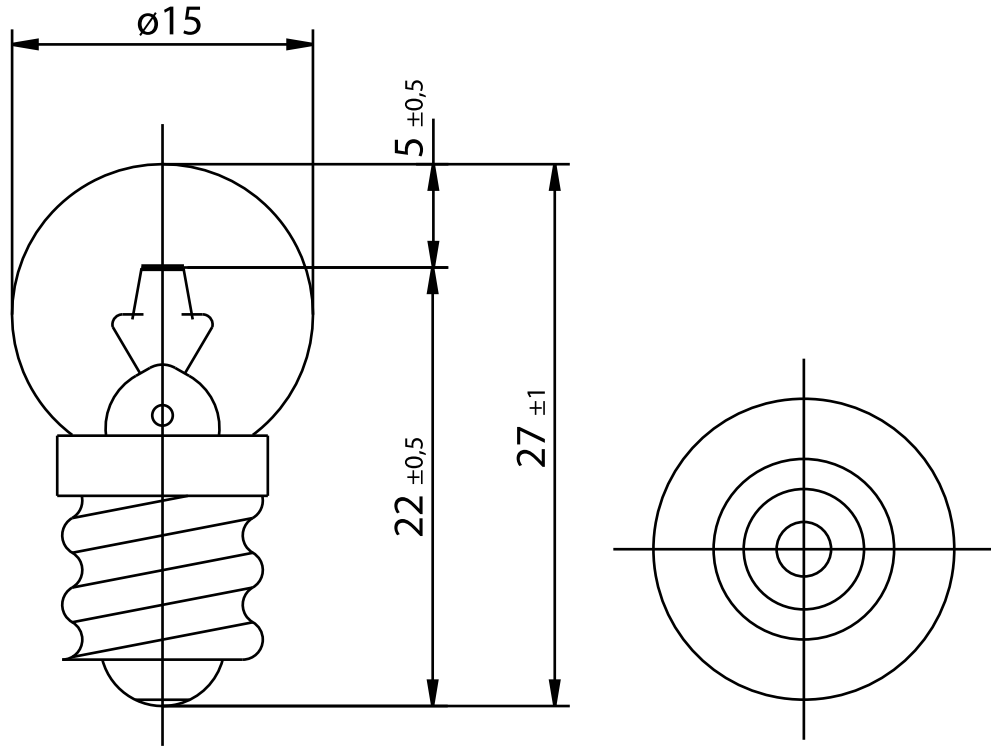
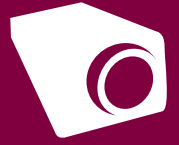


# INDUSTRIAL SPECIALTY LIGHTING

## Industrial Projection - Datasheet



### MEDICAL LAMPS - 6V 6.3W E10 DR. FISCHER

PRODUCT NUMBER **397843322**

[[

Tol.

VOLTAGE	6	V
WATTAGE	6.3	W
LUMEN OUTPUT	62	LM
LUMEN PRO WATT	9	LM/W
AVERAGE LIFE	MIN. 154	H
BASE	E10/13	/
REMARKS		
BRAND	DR. FISCHER	



MEDICAL



ENTERTAINMENT



TRAFFIC



MARINE



RAILWAY



AIRFIELD



VARIOUS



TAILOR MADE



IR / UV



PROJECTION