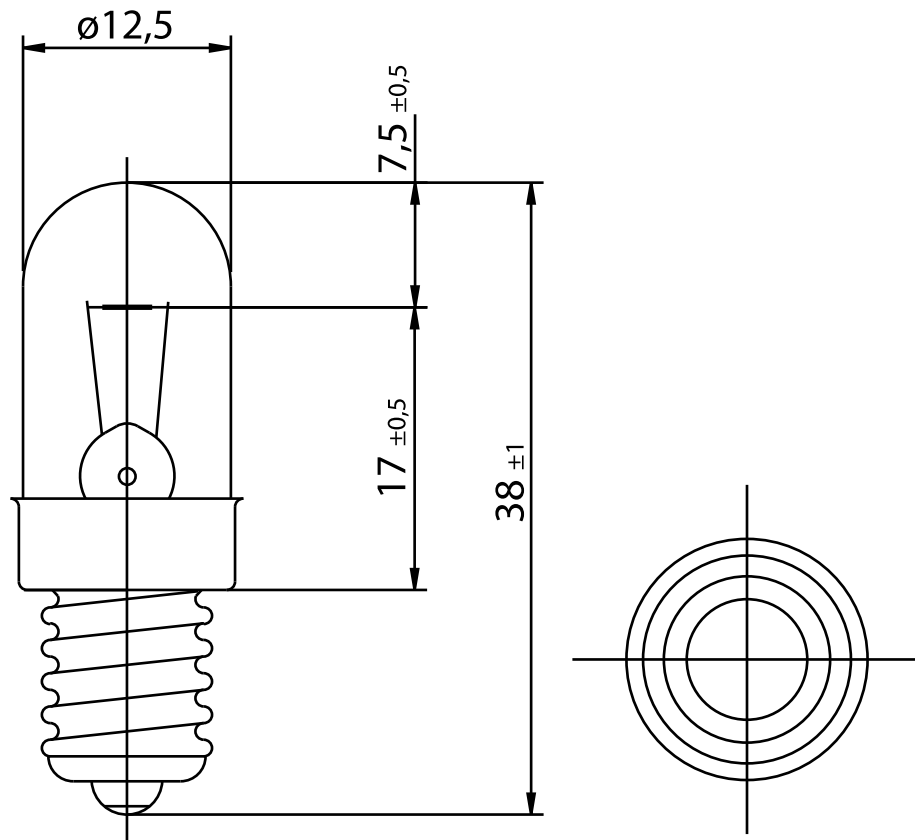
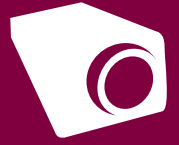


INDUSTRIAL SPECIALTY LIGHTING

Industrial Projection - Datasheet



MEDICAL LAMPS - 6.3V 5W E10 DR. FISCHER

PRODUCT NUMBER **397843316**

[[

Tol.

VOLTAGE	6.3	V
WATTAGE	5	W
LUMEN OUTPUT	35	LM
LUMEN PRO WATT	7.9	LM/W
AVERAGE LIFE	800	H
BASE	E10/19x13	/
REMARKS		
BRAND	DR. FISCHER	



MEDICAL



ENTERTAINMENT



TRAFFIC



MARINE



RAILWAY



AIRFIELD



VARIOUS



TAILOR MADE



IR / UV



PROJECTION