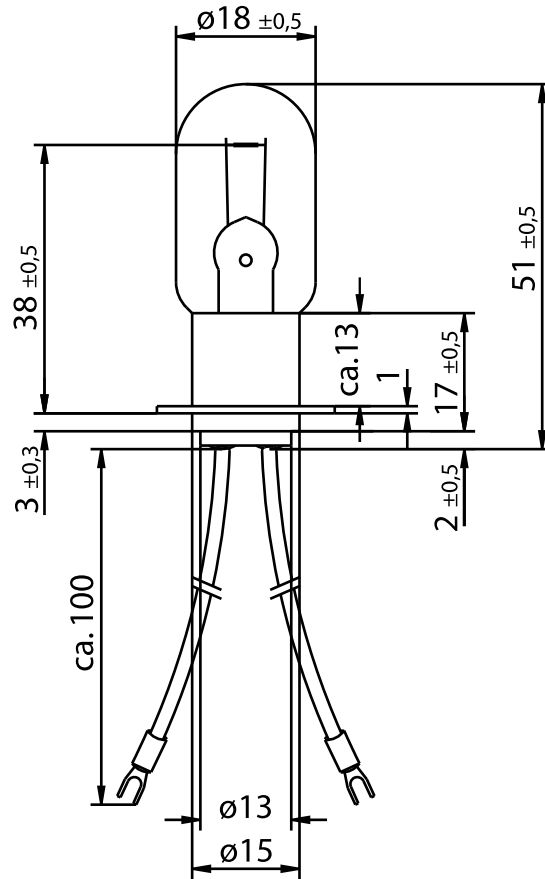
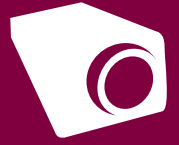


# INDUSTRIAL SPECIALTY LIGHTING

## Industrial Projection - Datasheet



### MEDICAL LAMPS - 6V 15W WITH CABLES

#### DR. FISCHER

PRODUCT NUMBER **397843288**

[[

Tol.

VOLTAGE	6	V
WATTAGE	15	W
LUMEN OUTPUT	235	LM
LUMEN PRO WATT	15.7	LM/W
AVERAGE LIFE	100	H
BASE	S15D/19	/
REMARKS		
BRAND	DR. FISCHER	



MEDICAL



ENTERTAINMENT



TRAFFIC



MARINE



RAILWAY



AIRFIELD



VARIOUS



TAILOR MADE



IR / UV



PROJECTION