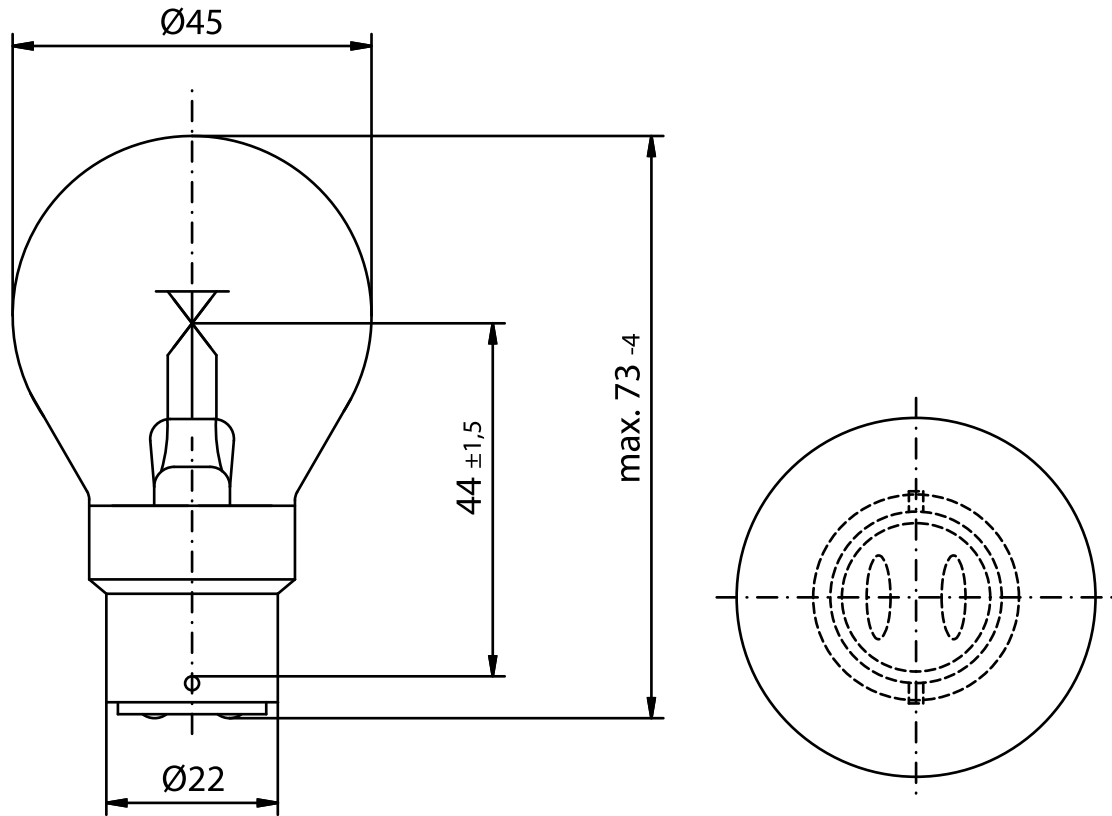


# INDUSTRIAL SPECIALTY LIGHTING

## Industrial Marine - Datasheet



### MARINE LAMPS - 10.3V 2 / 2W BA22D-3 DR. FISCHER

<b>PRODUCT NUMBER</b>	<b>304842026</b>	[ ]	Tol.
<b>VOLTAGE</b>	10.3	V	
<b>WATTAGE</b>	2 / 2	W	±7
<b>LUMEN OUTPUT</b>	16	LM	±10
<b>LUMEN PRO WATT</b>	8	LM/W	
<b>AVERAGE LIFE</b>	1500	H	
<b>BASE</b>	BA22D-3	/	
<b>REMARKS</b>	DOUBLE FILAMENT		
<b>BRAND</b>	DR. FISCHER		



MEDICAL



ENTERTAINMENT



TRAFFIC



MARINE



RAILWAY



AIRFIELD



VARIOUS



TAILOR MADE



IR / UV



PROJECTION