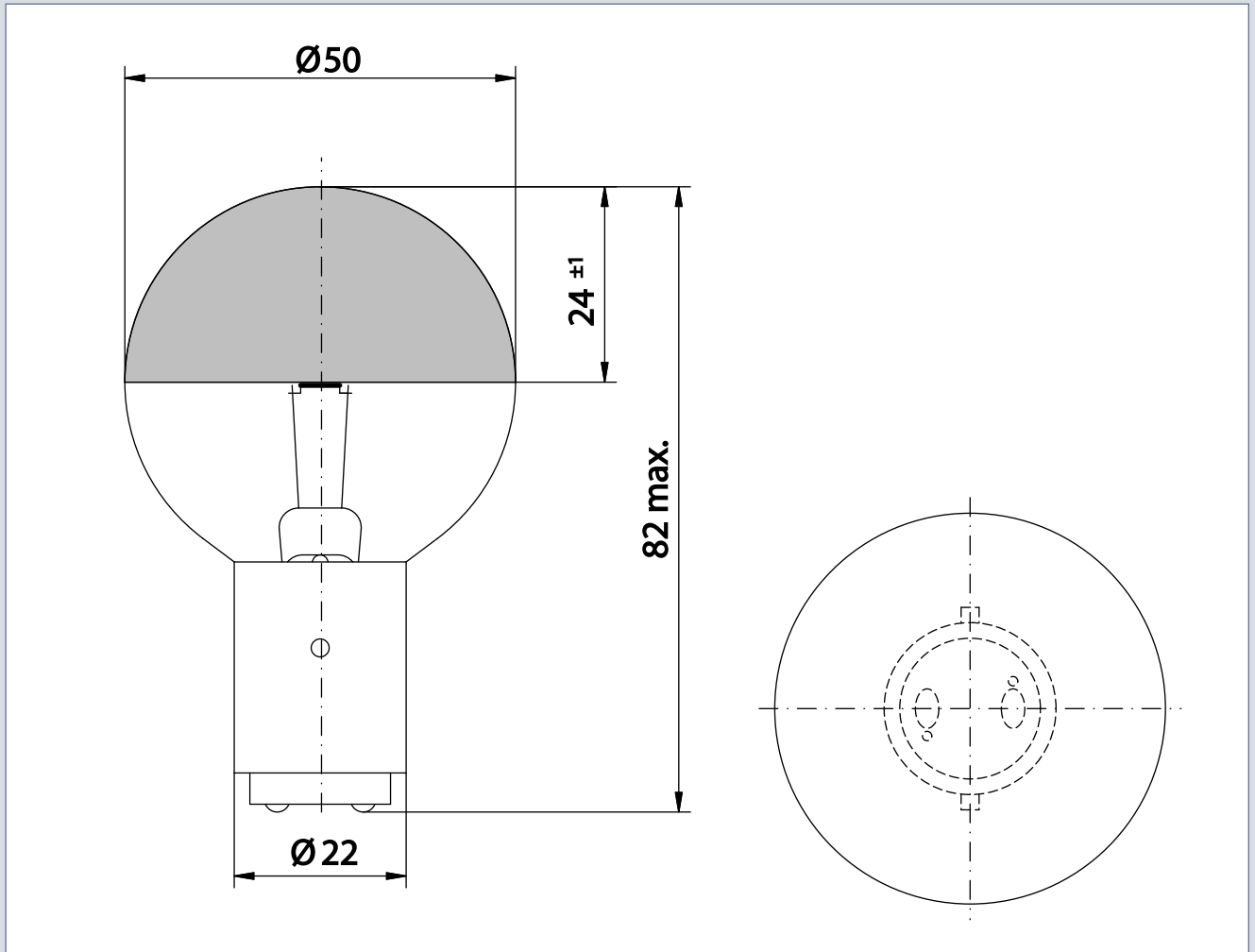


# INDUSTRIAL SPECIALTY LIGHTING

## Industrial medical - Datasheet



### MEDICAL LAMPS - 230V 50W Bx22D

**PRODUCT NUMBER 302936048** []

Tol.

<b>VOLTAGE</b>	230	V
<b>WATTAGE</b>	50	W
<b>LUMEN OUTPUT</b>		LM
<b>LUMEN PRO WATT</b>		LM/W
<b>AVERAGE LIFE</b>		H
<b>BASE</b>	Bx22D	/
<b>REMARKS</b>	H018251	
<b>BRAND</b>	DR. FISCHER	



MEDICAL



ENTERTAINMENT



TRAFFIC



MARINE



RAILWAY



AIRFIELD



VARIOUS



TAILOR MADE



IR / UV



PROJECTION