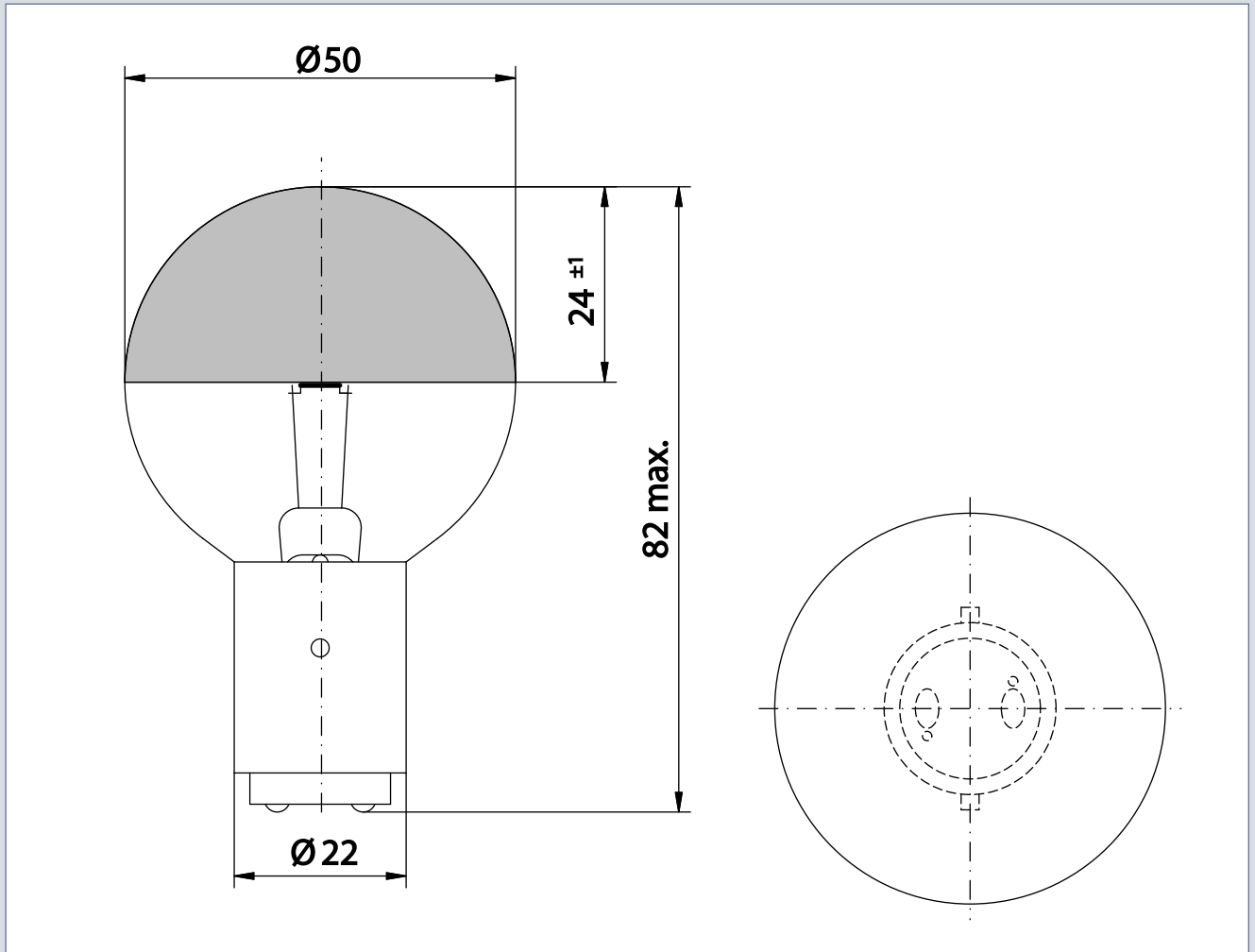


INDUSTRIAL SPECIALTY LIGHTING

Industrial medical - Datasheet



MEDICAL LAMPS - 50V 50W Bx22D DR. FISCHER H016685

PRODUCT NUMBER **302936046** []

Tol.

VOLTAGE	50	V
WATTAGE	50	W
LUMEN OUTPUT		LM
LUMEN PRO WATT		LM/W
AVERAGE LIFE		H
BASE	Bx22D	/
REMARKS	H016685	
BRAND	DR. FISCHER	



MEDICAL



ENTERTAINMENT



TRAFFIC



MARINE



RAILWAY



AIRFIELD



VARIOUS



TAILOR MADE



IR / UV



PROJECTION