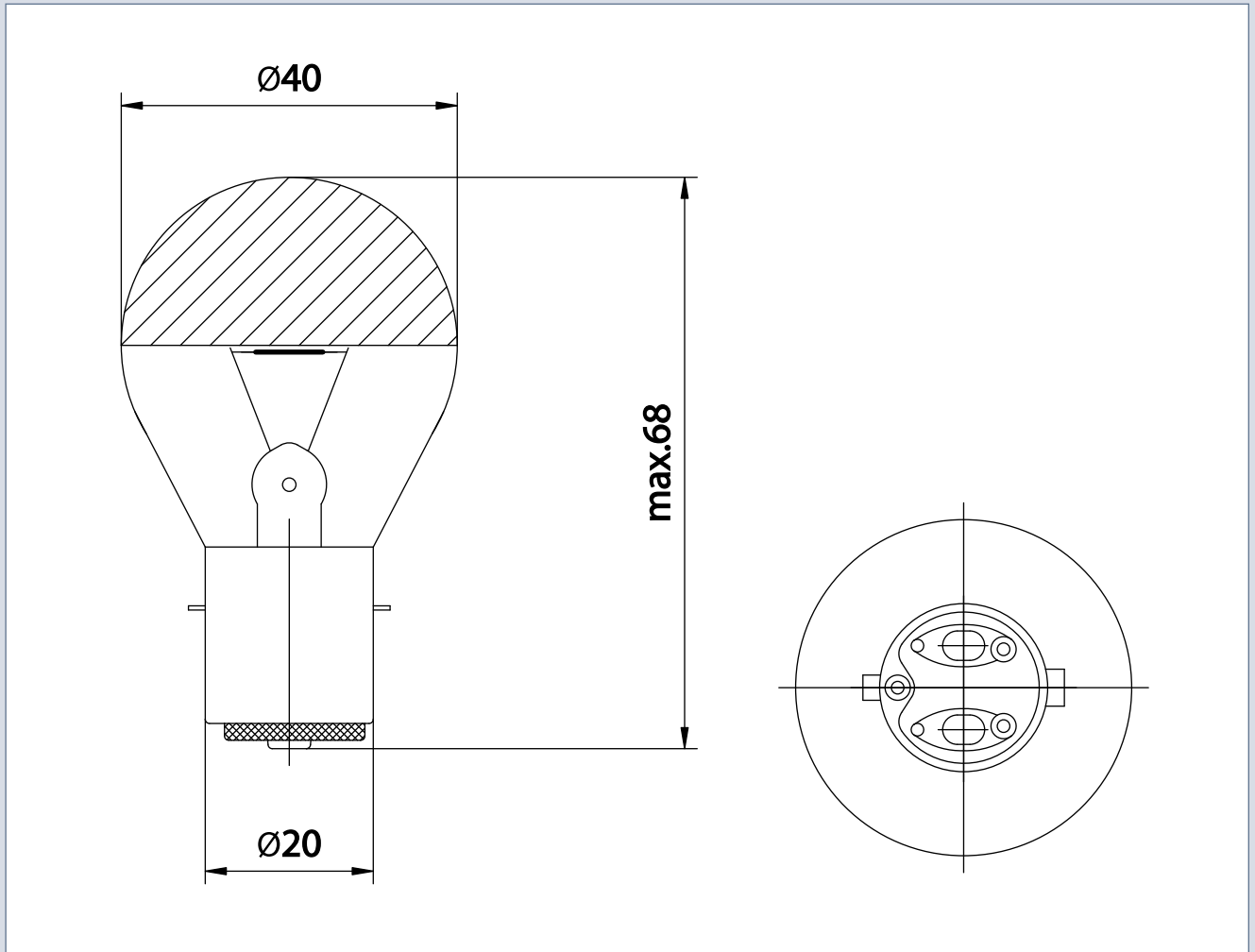


INDUSTRIAL SPECIALTY LIGHTING

Industrial medical - Datasheet



MEDICAL LAMPS - 24V 25W BA20D DR. FISCHER 585E

PRODUCT NUMBER **302936042** []

Tol.

VOLTAGE	24	V	
WATTAGE	25	W	± 10
LUMEN OUTPUT	330	LM	± 10
LUMEN PRO WATT	13.2	LM/W	
AVERAGE LIFE	600	H	
BASE	BA20D	/	
REMARKS	585E		
BRAND	DR. FISCHER		



MEDICAL



ENTERTAINMENT



TRAFFIC



MARINE



RAILWAY



AIRFIELD



VARIOUS



TAILOR MADE



IR / UV



PROJECTION