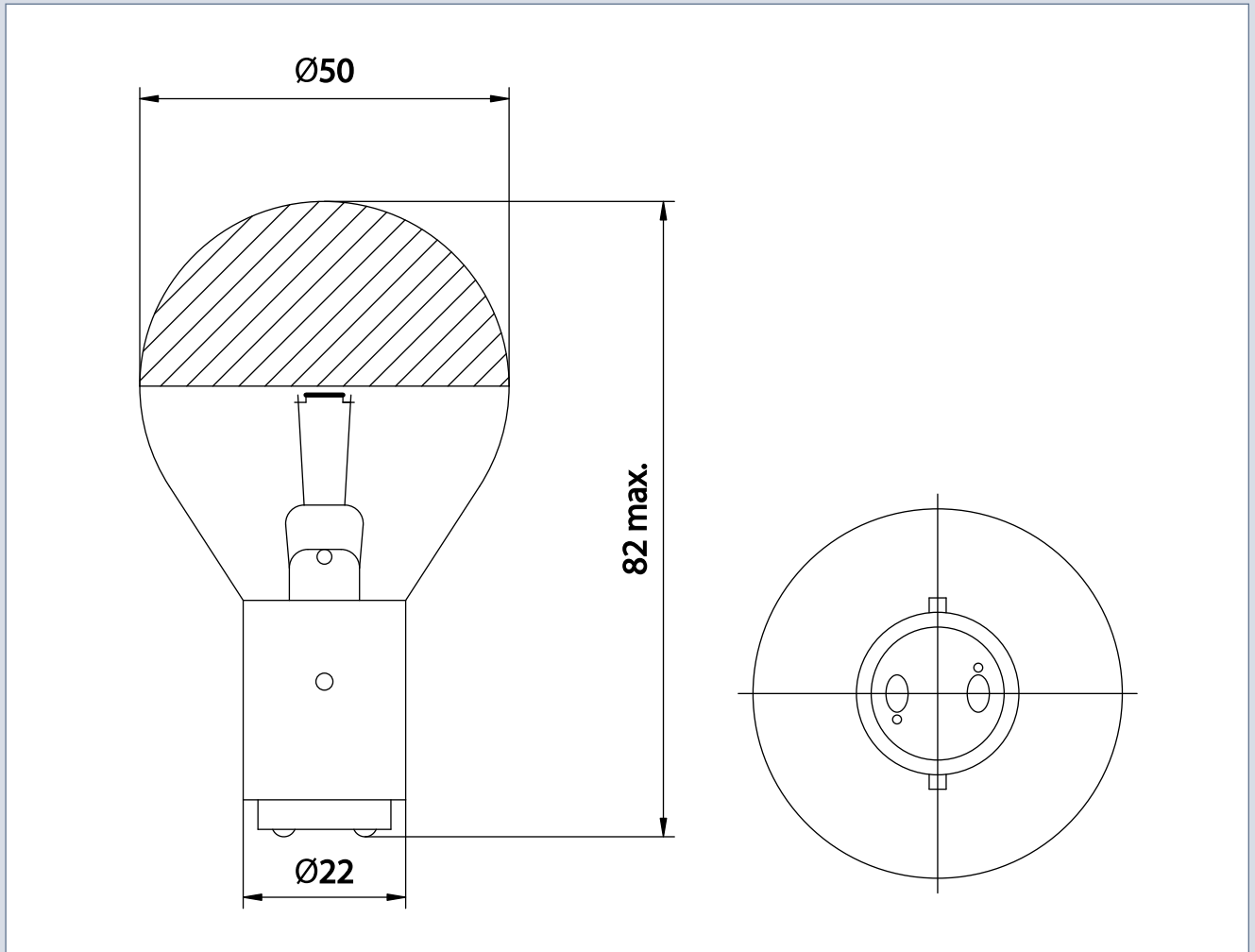


# INDUSTRIAL SPECIALTY LIGHTING

## Industrial medical - Datasheet



### MEDICAL LAMPS - 32V 50W Bx22D DR. FISCHER H016813

|                       |                  |      |      |
|-----------------------|------------------|------|------|
| <b>PRODUCT NUMBER</b> | <b>302936039</b> | [ ]  | Tol. |
| <b>VOLTAGE</b>        | 32               | V    |      |
| <b>WATTAGE</b>        | 50               | W    | ± 8  |
| <b>LUMEN OUTPUT</b>   | 420              | LM   | ± 10 |
| <b>LUMEN PRO WATT</b> | 8.4              | LM/W |      |
| <b>AVERAGE LIFE</b>   | 600              | H    |      |
| <b>BASE</b>           | Bx22D            | /    |      |
| <b>REMARKS</b>        | H016813          |      |      |
| <b>BRAND</b>          | DR. FISCHER      |      |      |



MEDICAL



ENTERTAINMENT



TRAFFIC



MARINE



RAILWAY



AIRFIELD



VARIOUS



TAILOR MADE



IR / UV



PROJECTION