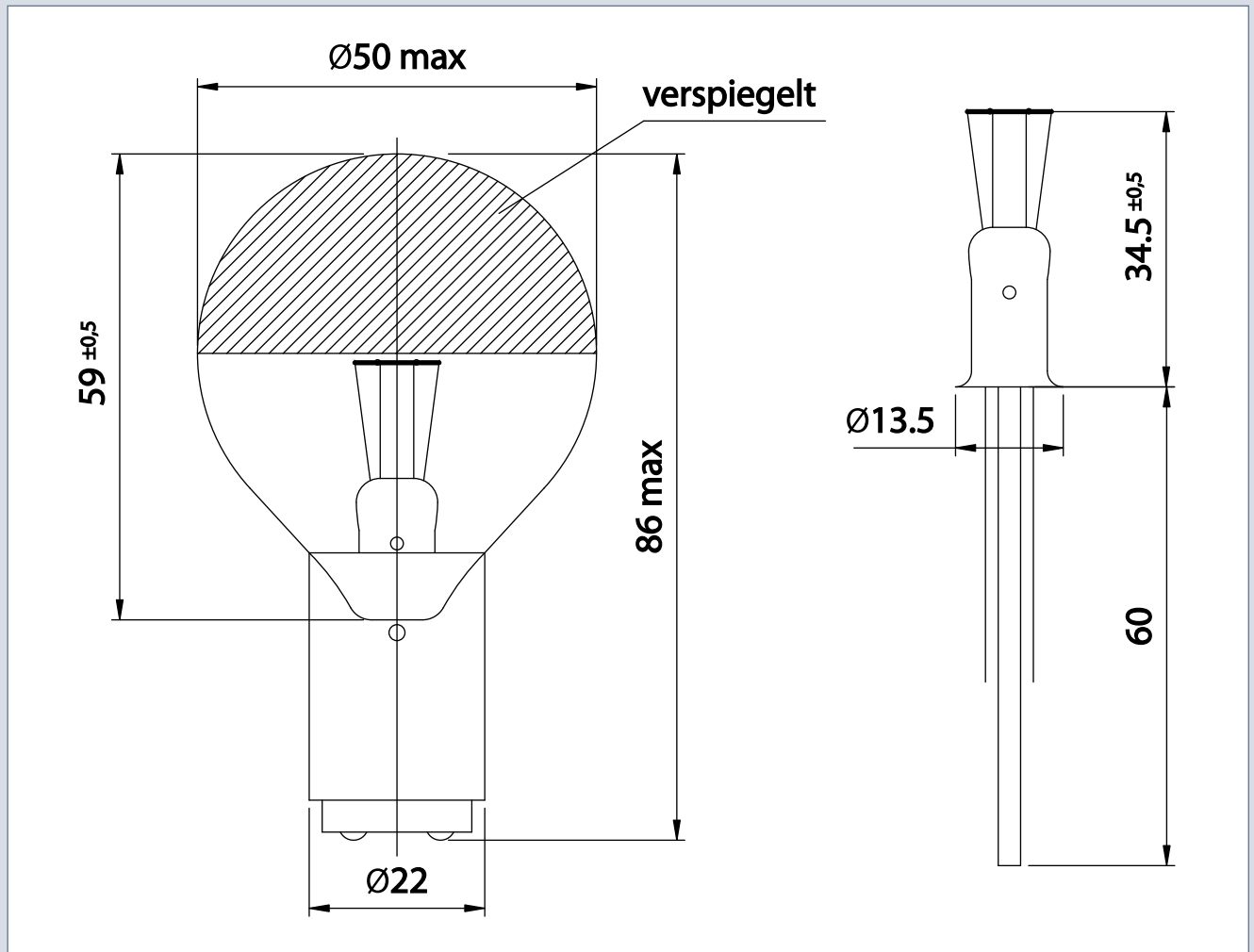


# INDUSTRIAL SPECIALTY LIGHTING

## Industrial medical - Datasheet



### MEDICAL LAMPS - 110V 50W Bx22D DR. FISCHER H016679

PRODUCT NUMBER **302936034** []

Tol.

VOLTAGE	110	V	
WATTAGE	50	W	±10
LUMEN OUTPUT	300	LM	
LUMEN PRO WATT	6	LM/W	
AVERAGE LIFE	1000	H	
BASE	Bx22D	/	
REMARKS	H016679		
BRAND	DR. FISCHER		



MEDICAL



ENTERTAINMENT



TRAFFIC



MARINE



RAILWAY



AIRFIELD



VARIOUS



TAILOR MADE



IR / UV



PROJECTION