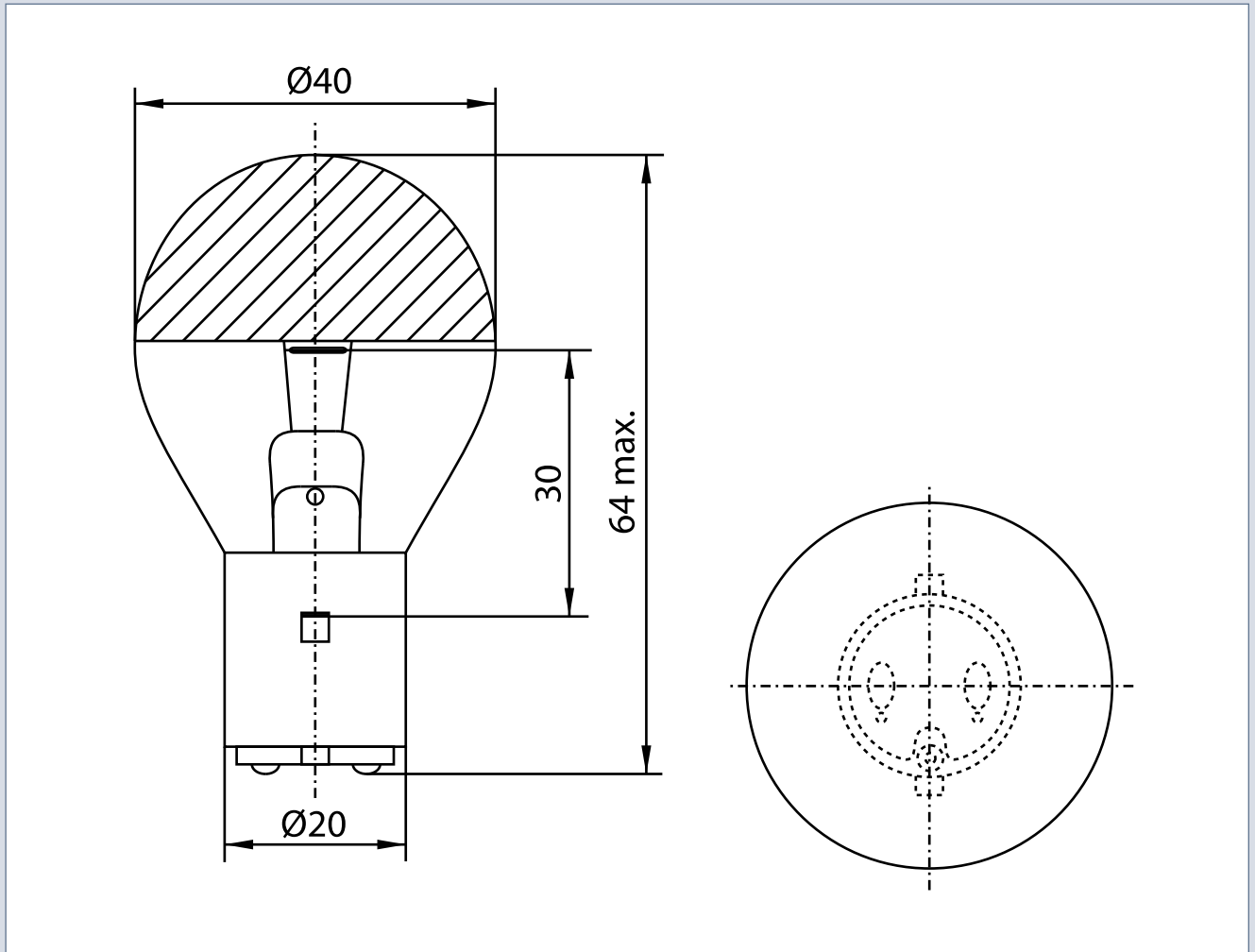


INDUSTRIAL SPECIALTY LIGHTING

Industrial medical - Datasheet



MEDICAL LAMPS - 12V 60W BA20D DR. FISCHER

PRODUCT NUMBER	302936018	[]	Tol.
VOLTAGE	12	V	
WATTAGE	60	W	
LUMEN OUTPUT		LM	
LUMEN PRO WATT		LM/W	
AVERAGE LIFE		H	
BASE	BA20D	/	
REMARKS	10394		
BRAND	DR. FISCHER		



MEDICAL



ENTERTAINMENT



TRAFFIC



MARINE



RAILWAY



AIRFIELD



VARIOUS



TAILOR MADE



IR / UV



PROJECTION