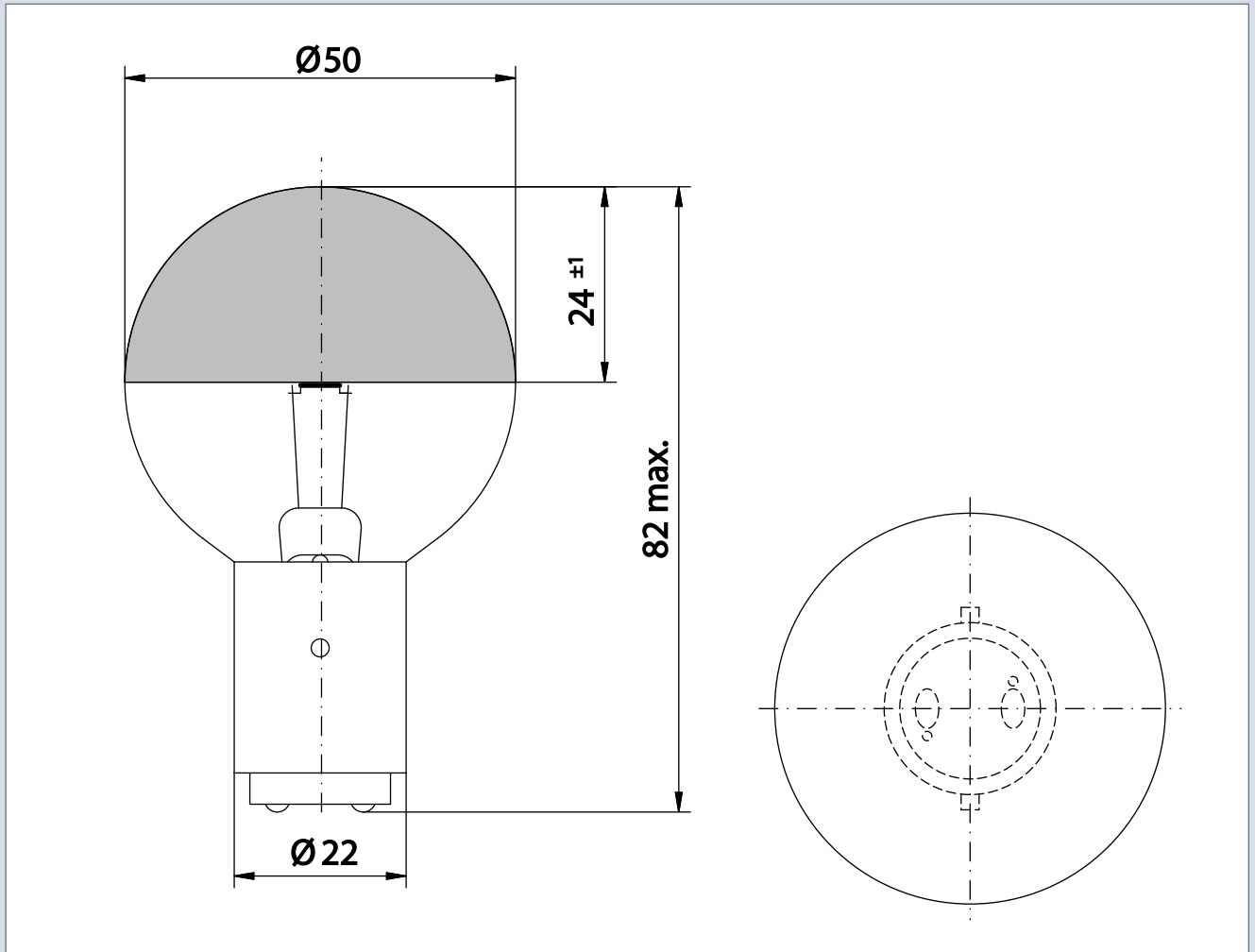


# INDUSTRIAL SPECIALTY LIGHTING

## Industrial medical - Datasheet



### MEDICAL LAMPS - 24V 40W Bx22D DR. FISCHER H018306 CLEAR

<b>PRODUCT NUMBER</b>	<b>302936017</b>	[ ]	Tol.
<b>VOLTAGE</b>	24	V	
<b>WATTAGE</b>	40	W	
<b>LUMEN OUTPUT</b>		LM	
<b>LUMEN PRO WATT</b>		LM/W	
<b>AVERAGE LIFE</b>		H	
<b>BASE</b>	Bx22D	/	
<b>REMARKS</b>	H018306/H016544 CLEAR		
<b>BRAND</b>	DR. FISCHER		



MEDICAL



ENTERTAINMENT



TRAFFIC



MARINE



RAILWAY



AIRFIELD



VARIOUS



TAILOR MADE



IR / UV



PROJECTION