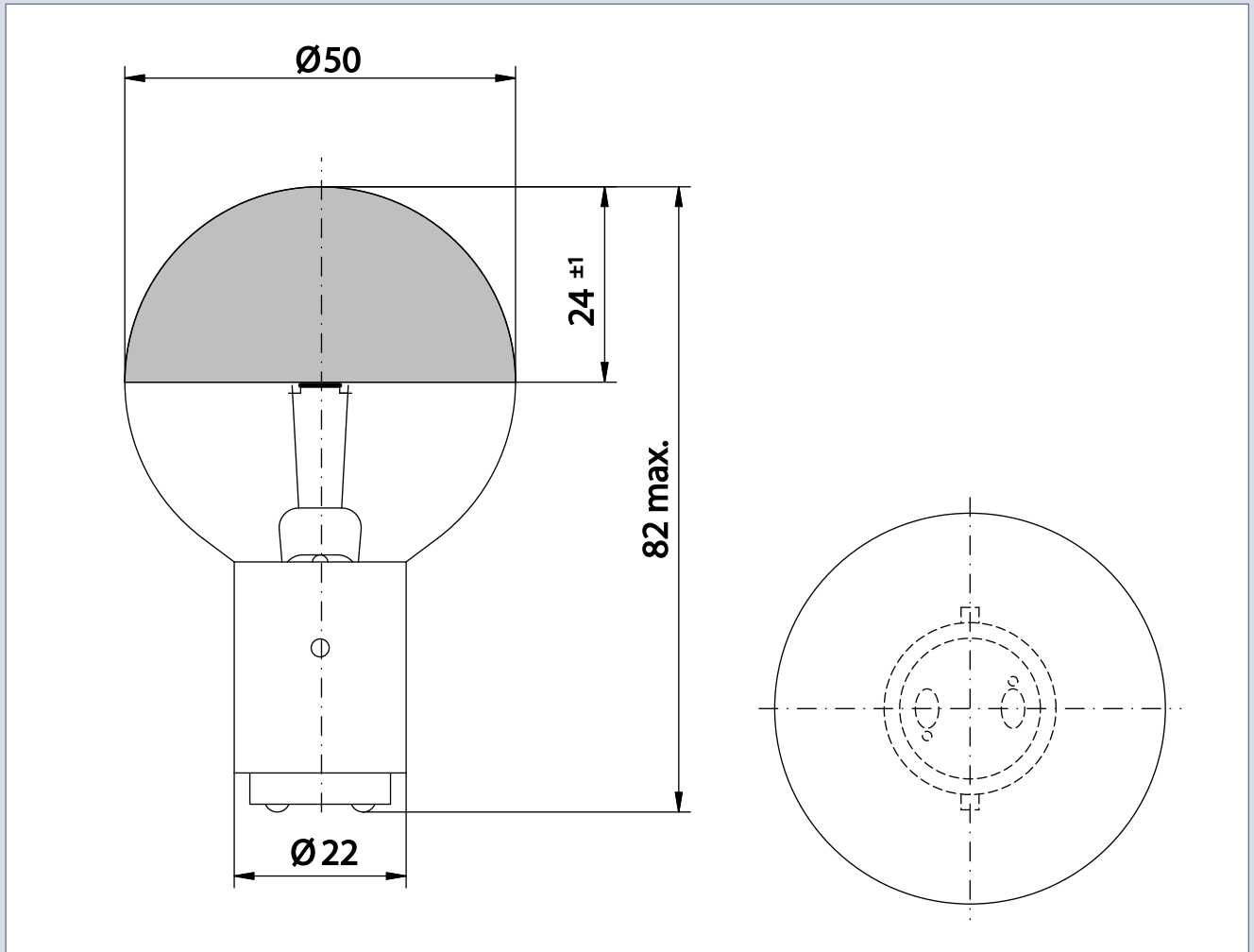


INDUSTRIAL SPECIALTY LIGHTING

Industrial medical - Datasheet



MEDICAL LAMPS - 24V 50W Bx22D DR. FISCHER H016678

PRODUCT NUMBER **302936009** []

Tol.

VOLTAGE	24	V	
WATTAGE	50	W	± 8
LUMEN OUTPUT	670	LM	± 10
LUMEN PRO WATT	13.4	LM/W	
AVERAGE LIFE	600	H	
BASE	Bx22D	/	
REMARKS	H016678		
BRAND	DR. FISCHER		



MEDICAL



ENTERTAINMENT



TRAFFIC



MARINE



RAILWAY



AIRFIELD



VARIOUS



TAILOR MADE



IR / UV



PROJECTION