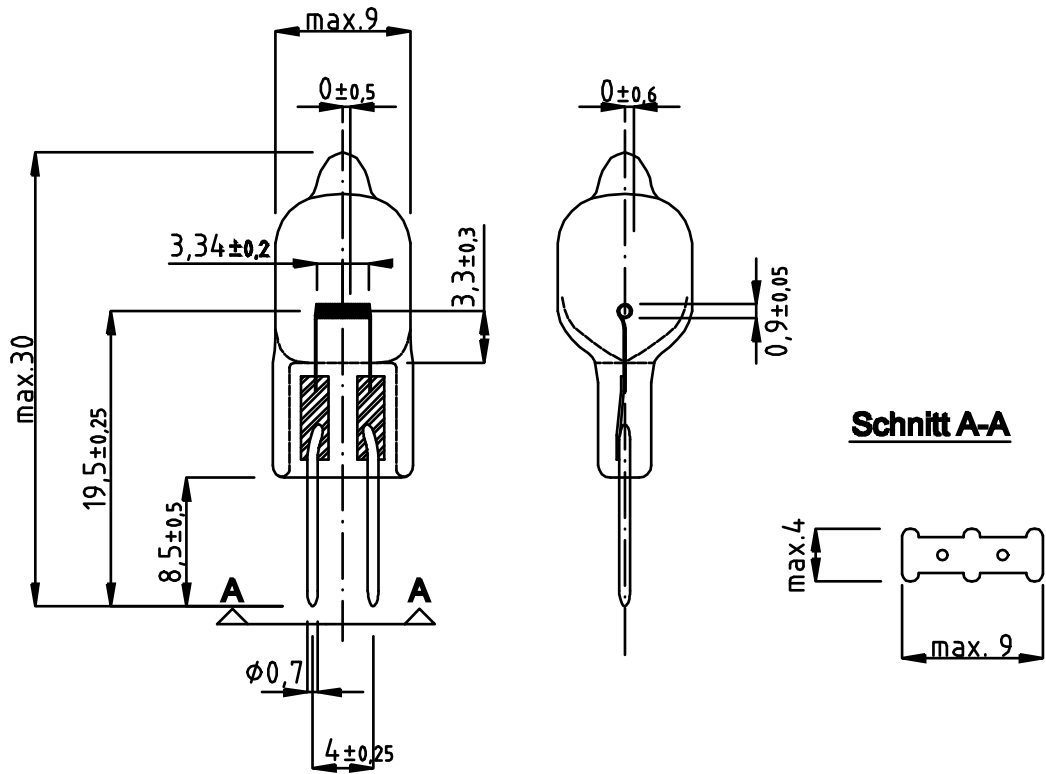


INDUSTRIAL SPECIALTY LIGHTING

Industrial medical - Datasheet



MEDICAL LAMPS - 12V 20W G4 DR. FISCHER

PRODUCT NUMBER **302847091** [] Tol.

VOLTAGE	12	V
WATTAGE	20	W
LUMEN OUTPUT	320	LM
LUMEN PRO WATT	16	LM/W
AVERAGE LIFE	2000	H
BASE	G4	/
REMARKS	SIG64012/1	
BRAND	DR. FISCHER	



MEDICAL



ENTERTAINMENT



TRAFFIC



MARINE



RAILWAY



AIRFIELD



VARIOUS



TAILOR MADE



IR / UV



PROJECTION