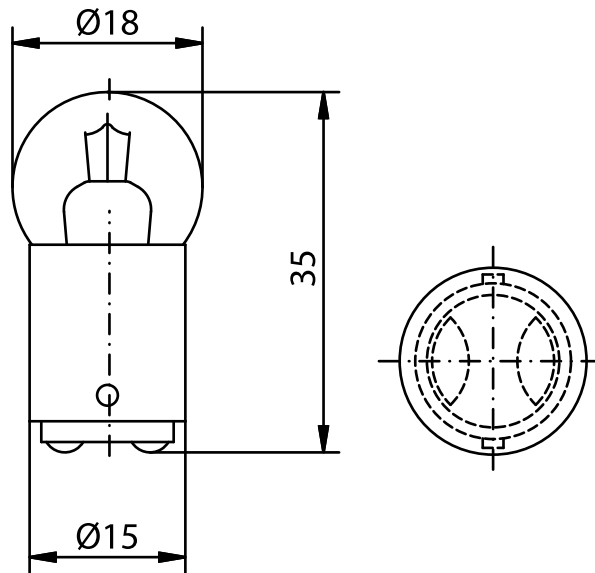


INDUSTRIAL SPECIALTY LIGHTING

Industrial medical - Datasheet



MEDICAL LAMPS - 28V 12W BA15D DR. FISCHER

PRODUCT NUMBER **302845076** []

Tol.

VOLTAGE	28	V
WATTAGE	12	W
LUMEN OUTPUT		LM
LUMEN PRO WATT		LM/W
AVERAGE LIFE		H
BASE	BA15D	/
REMARKS		
BRAND	DR. FISCHER	



MEDICAL



ENTERTAINMENT



TRAFFIC



MARINE



RAILWAY



AIRFIELD



VARIOUS



TAILOR MADE



IR / UV



PROJECTION