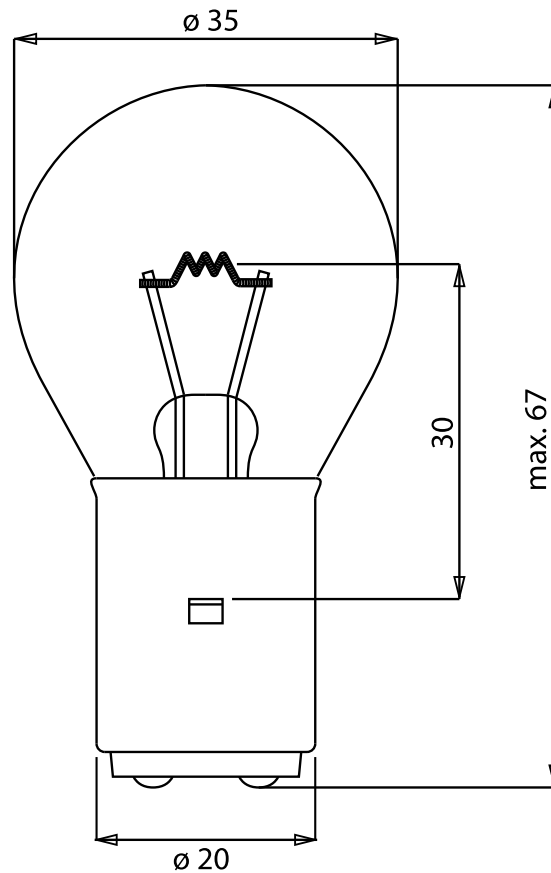


INDUSTRIAL SPECIALTY LIGHTING

Industrial medical - Datasheet



MEDICAL LAMPS - 15V 60W BA20D DR. FISCHER 8029

PRODUCT NUMBER **302843377** []

Tol.

VOLTAGE	15	V	
WATTAGE	60	W	±10
LUMEN OUTPUT	1200	LM	±20
LUMEN PRO WATT	20	LM/W	
AVERAGE LIFE	100	H	
BASE	BA20D	/	
REMARKS	8029		
BRAND	DR. FISCHER		



MEDICAL



ENTERTAINMENT



TRAFFIC



MARINE



RAILWAY



AIRFIELD



VARIOUS



TAILOR MADE



IR / UV



PROJECTION