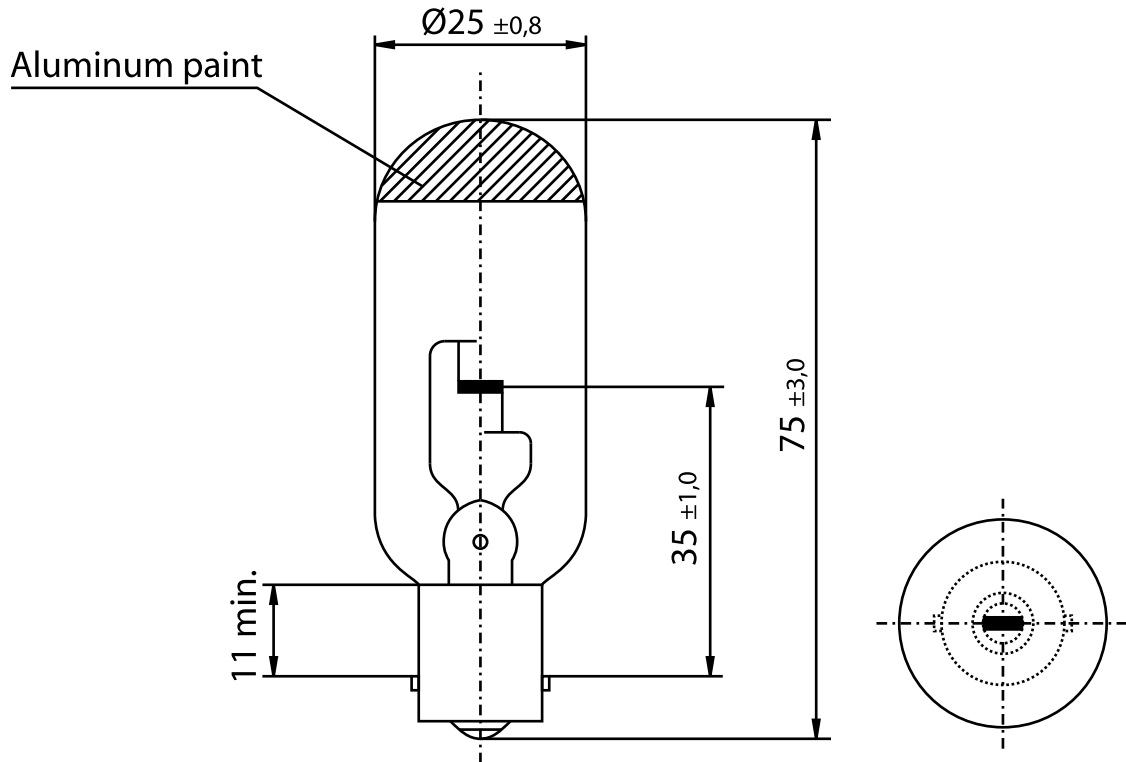


INDUSTRIAL SPECIALTY LIGHTING

Industrial medical - Datasheet



MEDICAL LAMPS - 12V 100W BA15s

PRODUCT NUMBER 302843175

[]

Tol.

VOLTAGE	12	V
WATTAGE	100	W
LUMEN OUTPUT	2800	LM
LUMEN PRO WATT		LM/W
AVERAGE LIFE	20	H
BASE	BA15s	/
REMARKS	BXT 037-790	
BRAND	DR. FISCHER	

FOR INFORMATIONAL PURPOSES ONLY. SIL INT. BV. DISCLAIMS ALL WARRANTIES WITHOUT LIMITATION. INFORMATION MIGHT BE SUBJECT TO CHANGE.



MEDICAL



ENTERTAINMENT



TRAFFIC



MARINE



RAILWAY



AIRFIELD



VARIOUS



TAILOR MADE



IR / UV



PROJECTION



Special industrial Lighting
 Ruysdaelbaan 3F
 5642 JJ Eindhoven
 The Netherlands

Tel : + 31 40 2868 913
 Fax : + 31 40 2868 207
 Website: www.sillamps.com
 Email : silint@special.nl