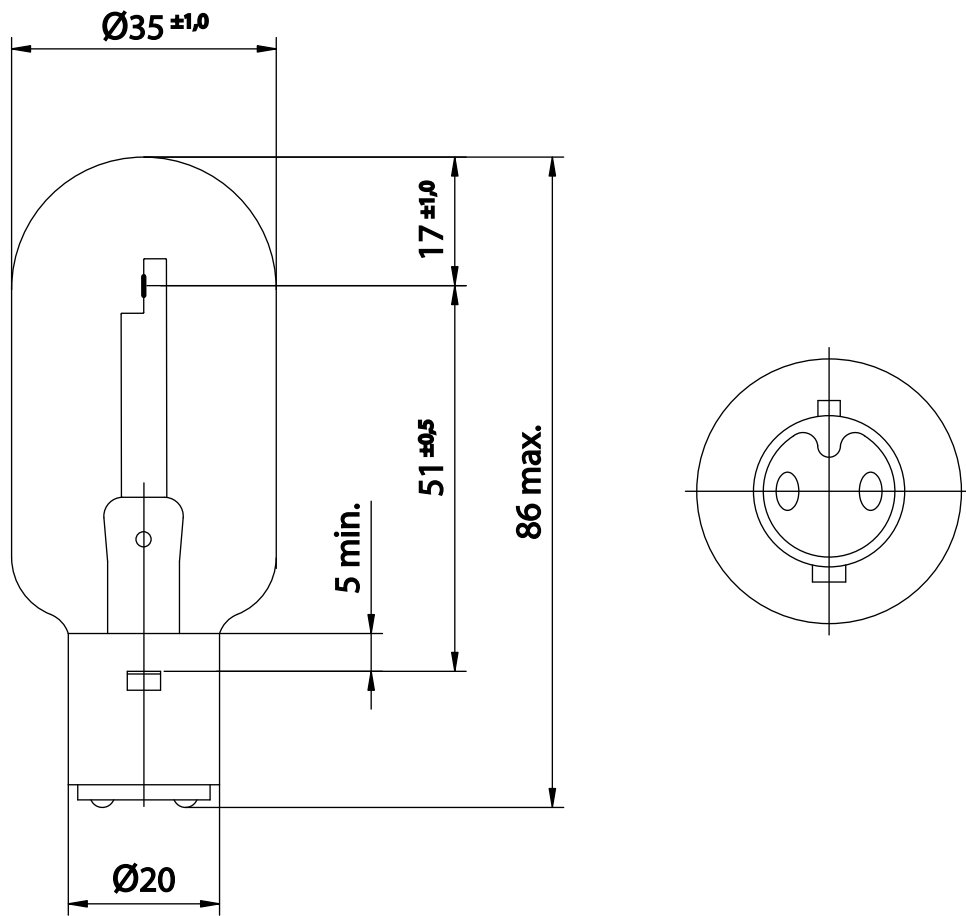


INDUSTRIAL SPECIALTY LIGHTING

Industrial medical - Datasheet



MEDICAL LAMPS - 12V 50W BA20D DR. FISCHER

PRODUCT NUMBER **302843171**

[]

Tol.

VOLTAGE	12	V	
WATTAGE	50	W	±5
LUMEN OUTPUT	900	LM	±10
LUMEN PRO WATT	18	LM/W	
AVERAGE LIFE	100	H	
BASE	BA20D	/	
REMARKS	38-02-04		
BRAND	DR. FISCHER		



MEDICAL



ENTERTAINMENT



TRAFFIC



MARINE



RAILWAY



AIRFIELD



VARIOUS



TAILOR MADE



IR / UV



PROJECTION