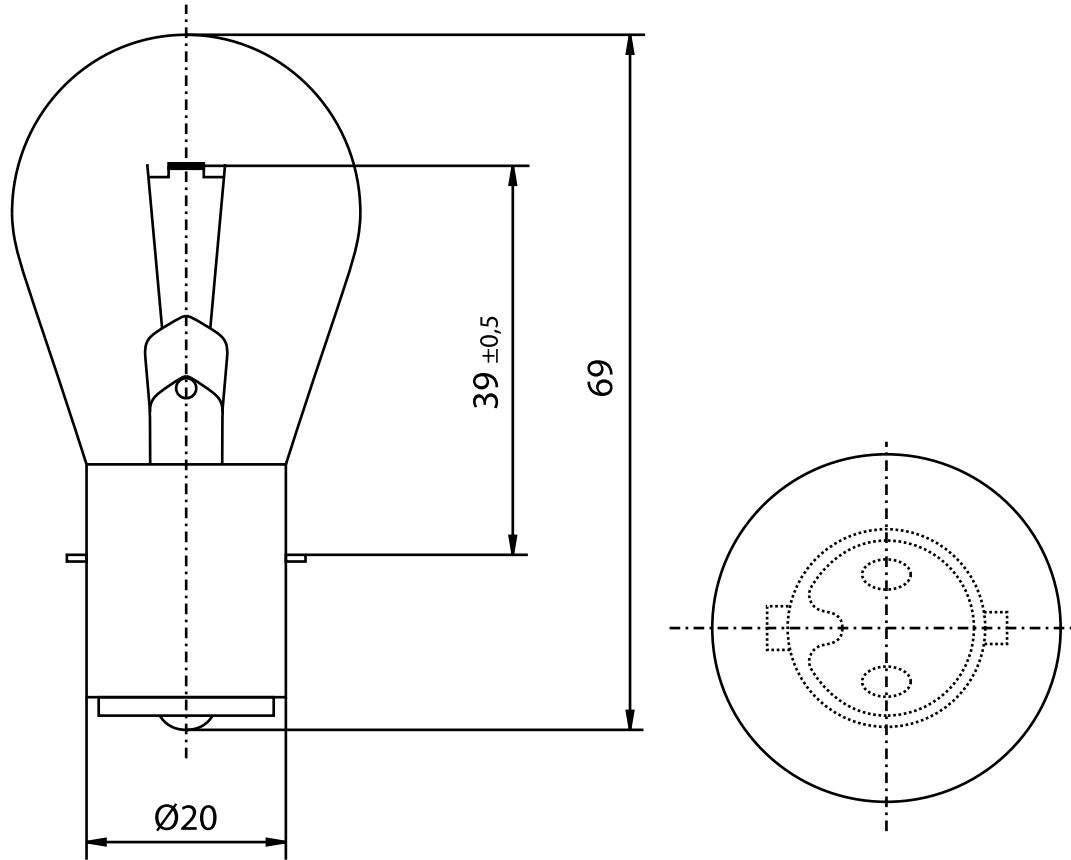


INDUSTRIAL SPECIALTY LIGHTING

Industrial medical - Datasheet



MEDICAL LAMPS - 12V 50W BA20D DR. FISCHER 8022

PRODUCT NUMBER	302843165	[]	Tol.
VOLTAGE	12	V	
WATTAGE	50	W	±10
LUMEN OUTPUT	1200	LM	±10
LUMEN PRO WATT	24	LM/W	
AVERAGE LIFE	50	H	
BASE	BA20D	/	
REMARKS	8022		
BRAND	DR. FISCHER		



MEDICAL



ENTERTAINMENT



TRAFFIC



MARINE



RAILWAY



AIRFIELD



VARIOUS



TAILOR MADE



IR / UV



PROJECTION