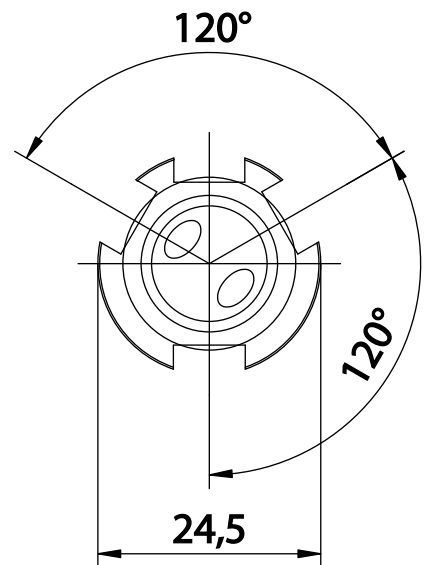
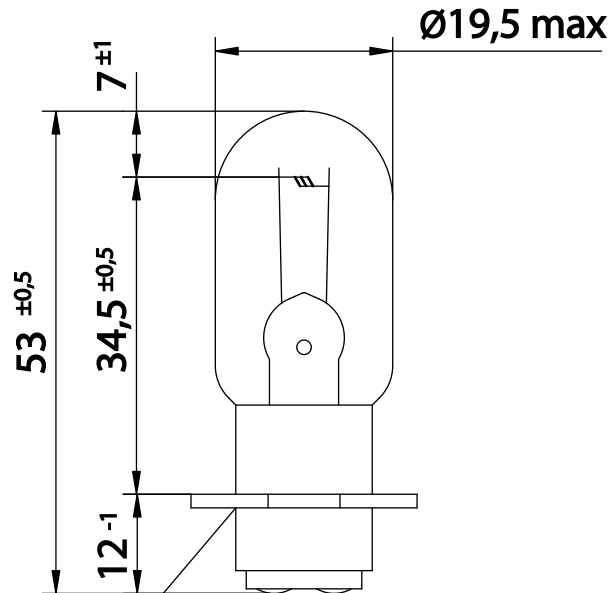


INDUSTRIAL SPECIALTY LIGHTING

Industrial medical - Datasheet



diese Seite frei
von Lötzinn

MEDICAL LAMPS - 6V 15W P25D/4 DR. FISCHER 1740

PRODUCT NUMBER **302843121** []

Tol.

VOLTAGE	6	V	
WATTAGE	15	W	± 8
LUMEN OUTPUT	210	LM	± 12
LUMEN PRO WATT		LM/W	
AVERAGE LIFE	100	H	
BASE	BA15D	/	
REMARKS	380018/1740		
BRAND	DR. FISCHER		



MEDICAL



ENTERTAINMENT



TRAFFIC



MARINE



RAILWAY



AIRFIELD



VARIOUS



TAILOR MADE



IR / UV



PROJECTION