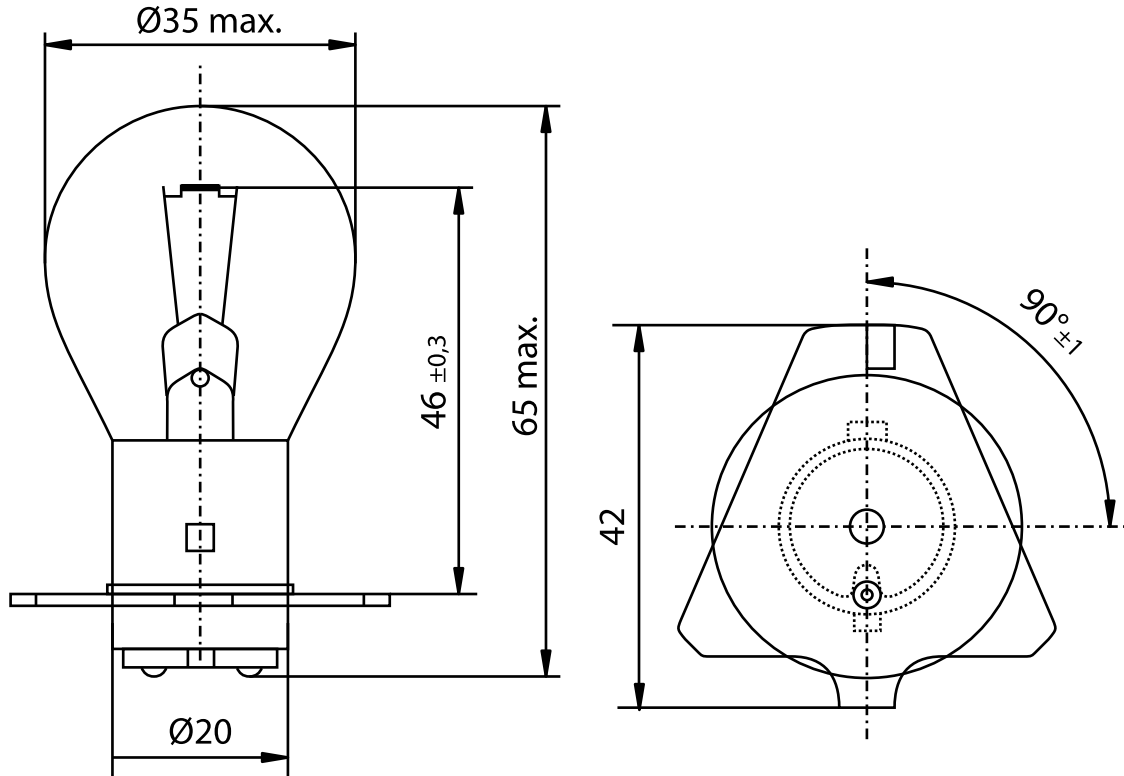


# INDUSTRIAL SPECIALTY LIGHTING

## Industrial medical - Datasheet



### MEDICAL LAMPS - 6V 30W P42 DR. FISCHER

PRODUCT NUMBER **302843112** []

Tol.

VOLTAGE	6	V	
WATTAGE	30	W	$\pm 8$
LUMEN OUTPUT	580	LM	$\pm 10$
LUMEN PRO WATT	19.3	LM/W	
AVERAGE LIFE	100	H	
BASE	BA20s	/	
REMARKS	P42 FLANGE		
BRAND	DR. FISCHER		



MEDICAL



ENTERTAINMENT



TRAFFIC



MARINE



RAILWAY



AIRFIELD



VARIOUS



TAILOR MADE



IR / UV



PROJECTION