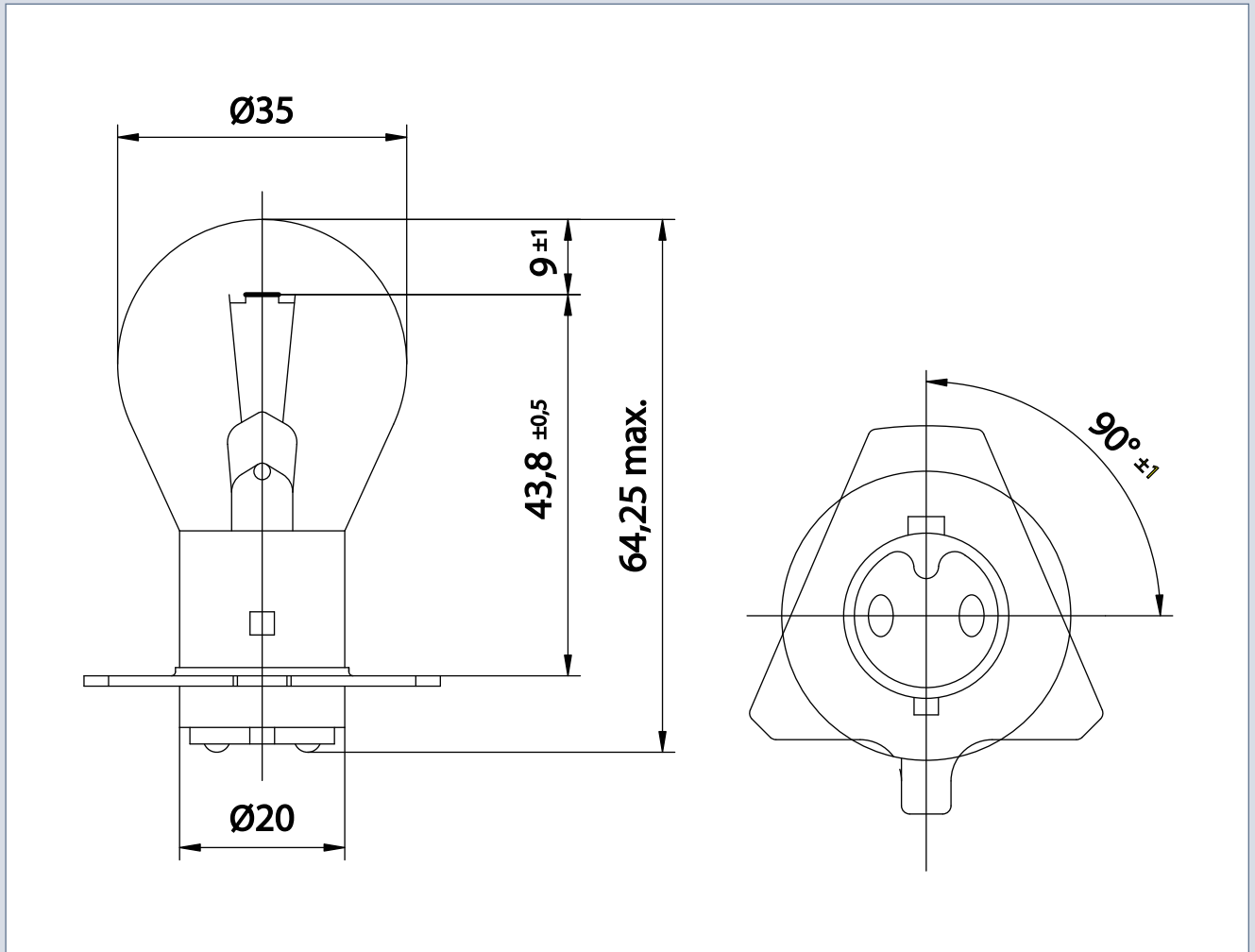


INDUSTRIAL SPECIALTY LIGHTING

Industrial medical - Datasheet



MEDICAL LAMPS - 6V 50W P47D DR. FISCHER 39-01-86

PRODUCT NUMBER **302843111**

[]

Tol.

VOLTAGE	6	V	
WATTAGE	50	W	±5
LUMEN OUTPUT	850	LM	±10
LUMEN PRO WATT	17	LM/W	
AVERAGE LIFE	300	H	
BASE	BA20D	/	
REMARKS	39-01-86		
BRAND	DR. FISCHER		



MEDICAL



ENTERTAINMENT



TRAFFIC



MARINE



RAILWAY



AIRFIELD



VARIOUS



TAILOR MADE



IR / UV



PROJECTION