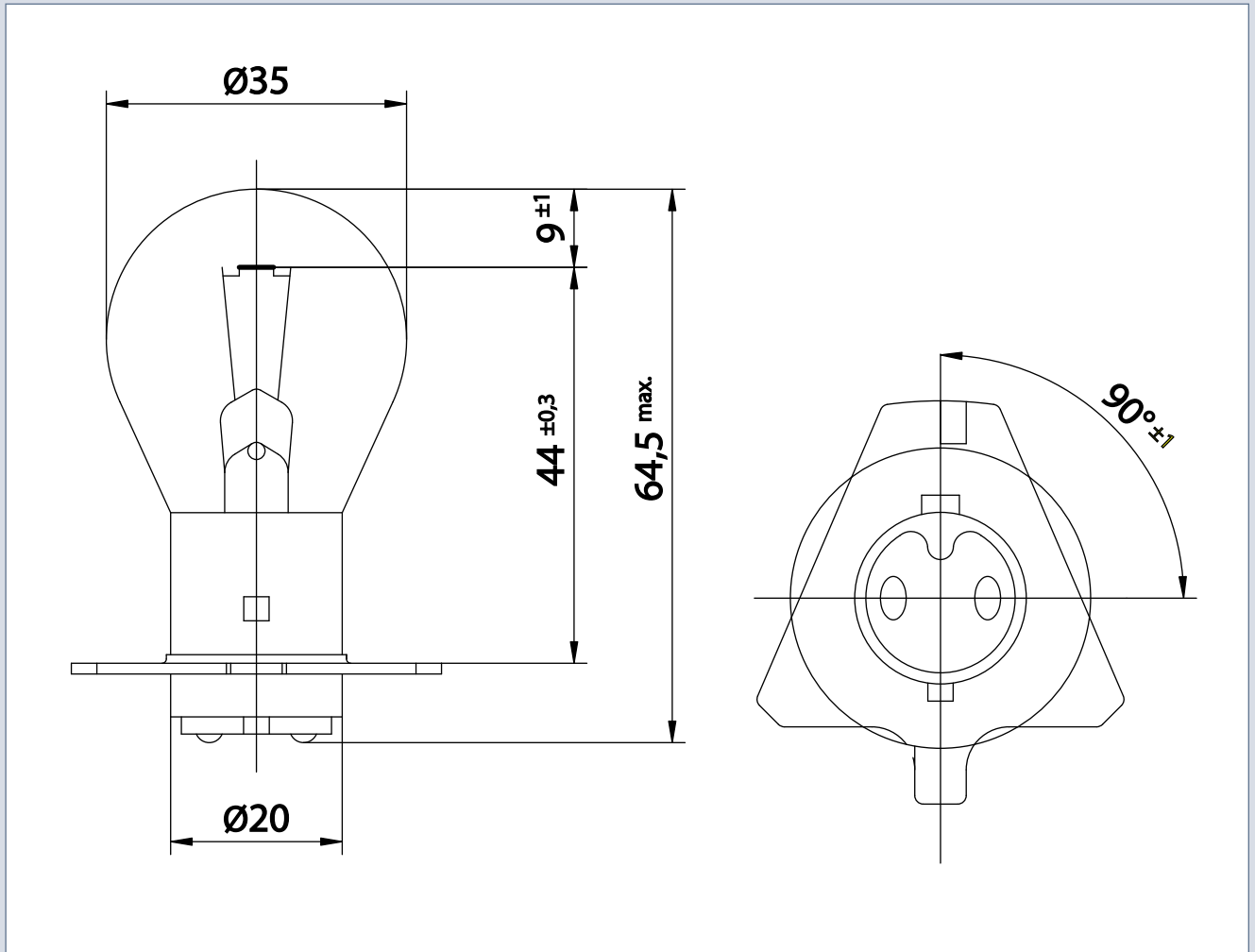


INDUSTRIAL SPECIALTY LIGHTING

Industrial medical - Datasheet



MEDICAL LAMPS - 6V 30W P47D DR. FISCHER 39-01-58

PRODUCT NUMBER	302843110	[]	Tol.
VOLTAGE	6	V	
WATTAGE	30	W	± 8
LUMEN OUTPUT	580	LM	± 8
LUMEN PRO WATT	19.3	LM/W	
AVERAGE LIFE	100	H	
BASE	BA20D	/	
REMARKS	39-01-58		
BRAND	DR. FISCHER		



MEDICAL



ENTERTAINMENT



TRAFFIC



MARINE



RAILWAY



AIRFIELD



VARIOUS



TAILOR MADE



IR / UV



PROJECTION