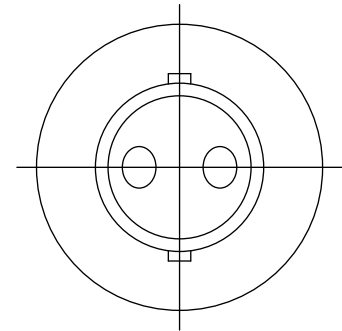
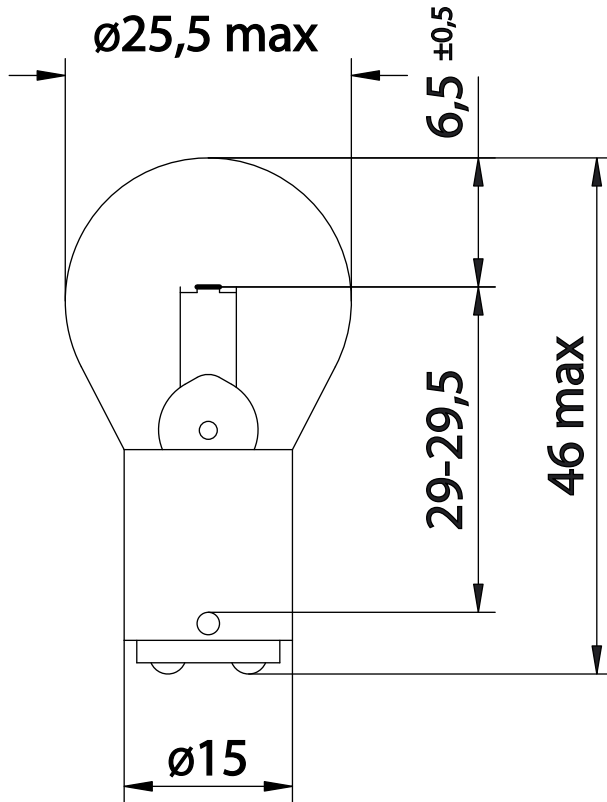


INDUSTRIAL SPECIALTY LIGHTING

Industrial medical - Datasheet



MEDICAL LAMPS - 6V 10W BA15D DR. FISCHER 8013

PRODUCT NUMBER **302843093** []

Tol.

VOLTAGE	6	V
WATTAGE	10	W
LUMEN OUTPUT	100	LM
LUMEN PRO WATT	10	LM/W
AVERAGE LIFE	600	H
BASE	BA15D	/
REMARKS	8013 600Hrs	
BRAND	DR. FISCHER	



MEDICAL



ENTERTAINMENT



TRAFFIC



MARINE



RAILWAY



AIRFIELD



VARIOUS



TAILOR MADE



IR / UV



PROJECTION