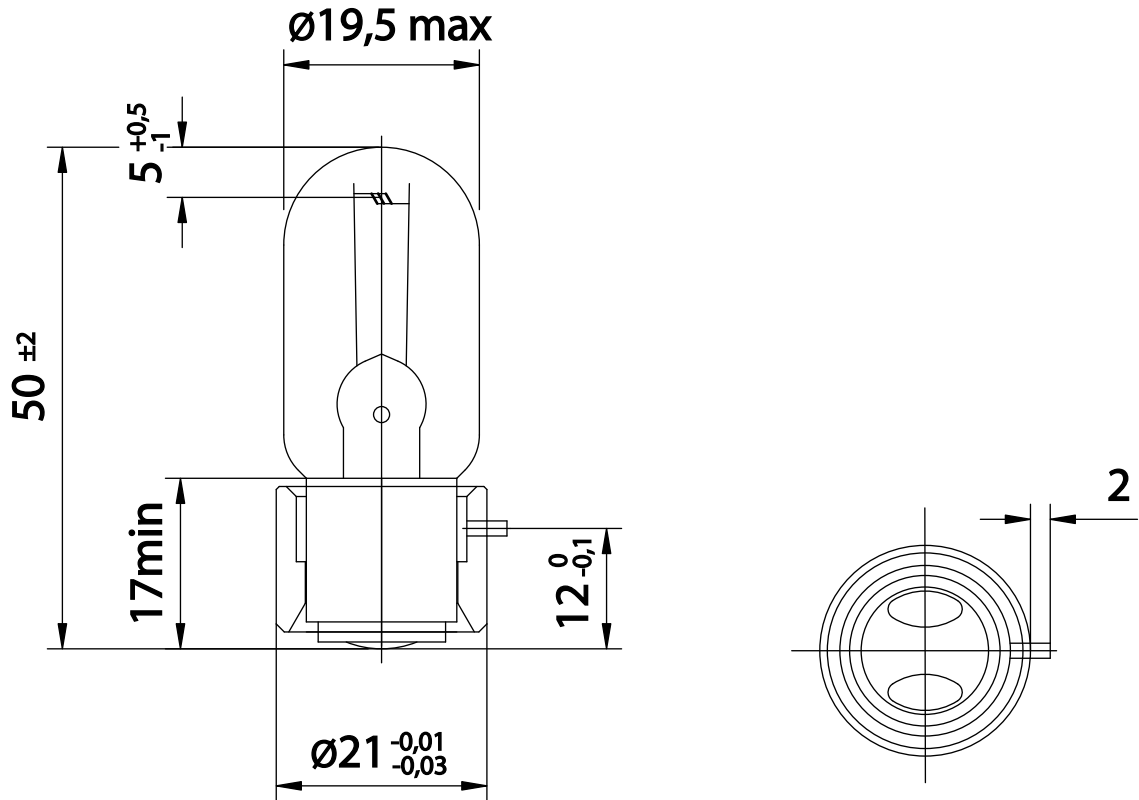


# INDUSTRIAL SPECIALTY LIGHTING

## Industrial medical - Datasheet



### MEDICAL LAMPS - 6V 20W P21D 70249

PRODUCT NUMBER **302843084** []

Tol.

VOLTAGE	6	V	
WATTAGE	20	W	±10
LUMEN OUTPUT	200	LM	±10
LUMEN PRO WATT	10	LM/W	
AVERAGE LIFE	100	H	
BASE	S15D	/	
REMARKS	70249		
BRAND	DR. FISCHER		



MEDICAL



ENTERTAINMENT



TRAFFIC



MARINE



RAILWAY



AIRFIELD



VARIOUS



TAILOR MADE



IR / UV



PROJECTION