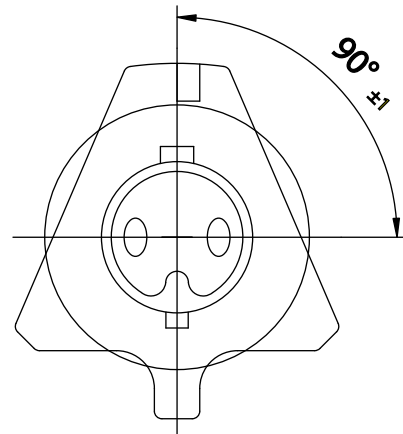
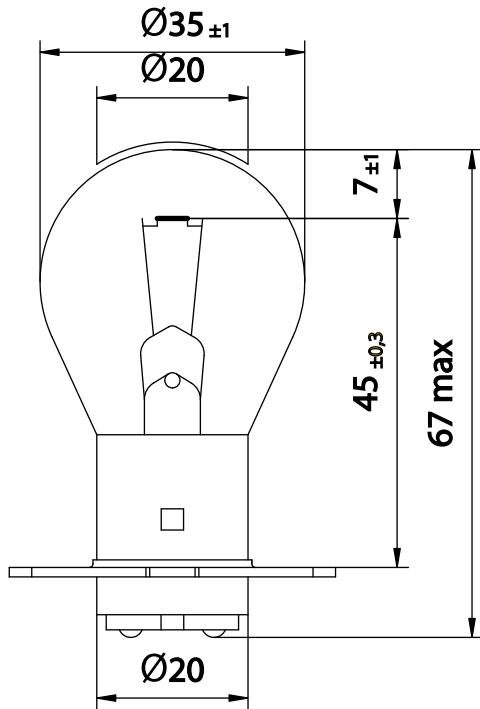


INDUSTRIAL SPECIALTY LIGHTING

Industrial medical - Datasheet



Kolbenkuppe blasen-,
Kratzer-, schlieren- und
verzerrungsfrei. Zul. Abw.
der Kolbenachse von der
Sockelachse 0,5mm

MEDICAL LAMPS - 12V 35W P47D DR. FISCHER

PRODUCT NUMBER **302843078** []

Tol.

VOLTAGE	12	V	
WATTAGE	35	W	± 8
LUMEN OUTPUT	560	LM	± 10
LUMEN PRO WATT	16	LM/W	
AVERAGE LIFE	100	H	
BASE	BA20s	/	
REMARKS	39-02-13		
BRAND	DR. FISCHER		



MEDICAL



ENTERTAINMENT



TRAFFIC



MARINE



RAILWAY



AIRFIELD



VARIOUS



TAILOR MADE



IR / UV



PROJECTION