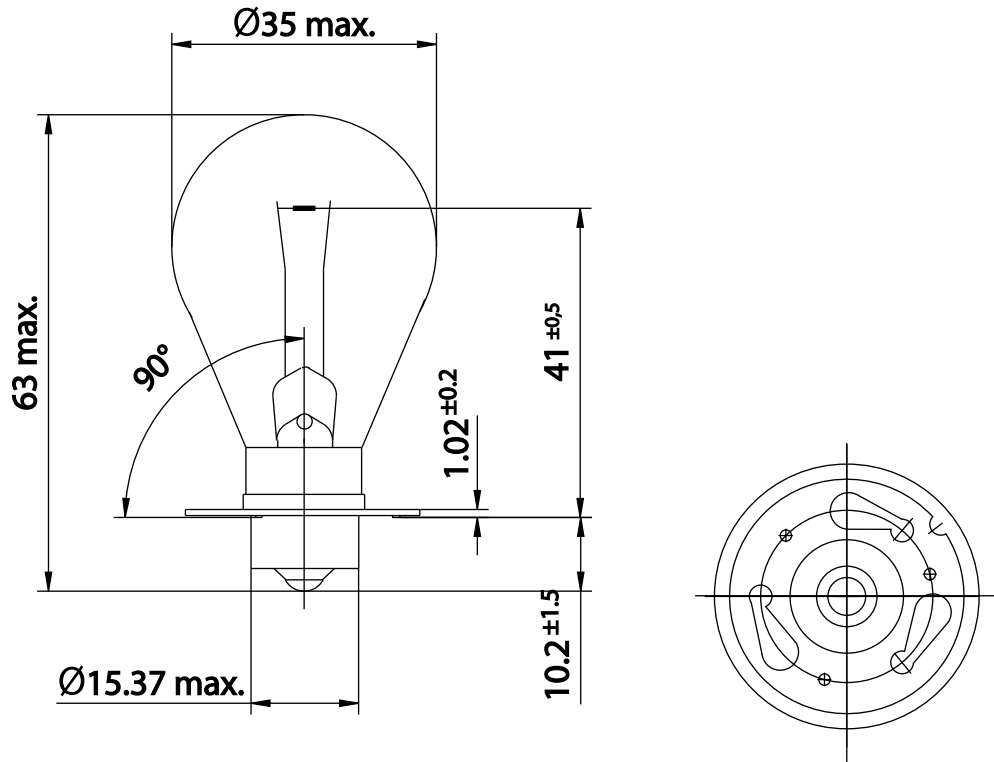


INDUSTRIAL SPECIALTY LIGHTING

Industrial medical - Datasheet



MEDICAL LAMPS - 6V 48W P30s FLANGE DR. FISCHER F/81

PRODUCT NUMBER **302843035** []

Tol.

VOLTAGE	6	V	
WATTAGE	48	W	± 5
LUMEN OUTPUT	675	LM	+ 10
LUMEN PRO WATT	14.1	LM/W	
AVERAGE LIFE	200	H	
BASE	Sx15s	/	
REMARKS	F/81		
BRAND	DR. FISCHER		



MEDICAL



ENTERTAINMENT



TRAFFIC



MARINE



RAILWAY



AIRFIELD



VARIOUS



TAILOR MADE



IR / UV



PROJECTION