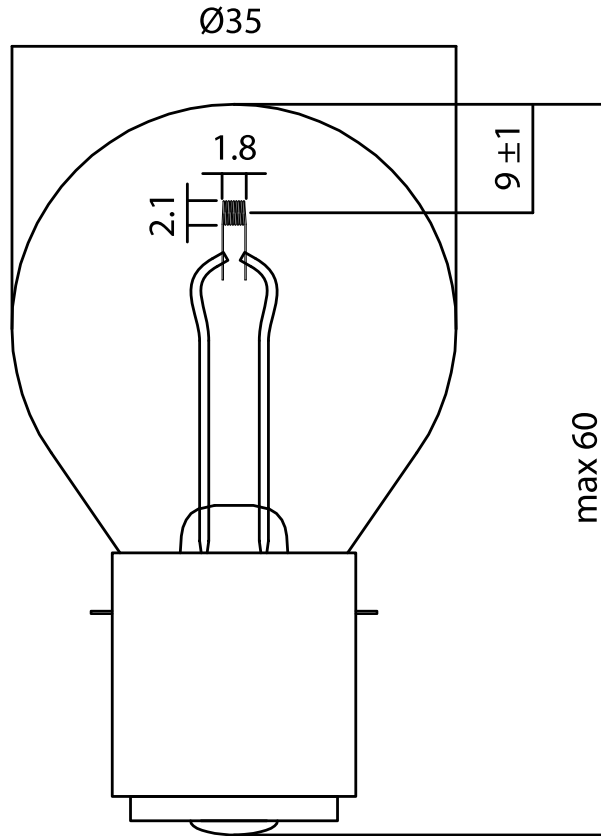


INDUSTRIAL SPECIALTY LIGHTING

Industrial medical - Datasheet



MEDICAL LAMPS - 6V 5A BA20D DR. FISCHER 8025

PRODUCT NUMBER 302843030 []

Tol.

VOLTAGE	6	V	
WATTAGE	30	W	±8
LUMEN OUTPUT	400	LM	±10
LUMEN PRO WATT	13.3	LM/W	
AVERAGE LIFE	300	H	
BASE	BA20D	/	
REMARKS	8025		
BRAND	DR. FISCHER		



MEDICAL



ENTERTAINMENT



TRAFFIC



MARINE



RAILWAY



AIRFIELD



VARIOUS



TAILOR MADE



IR / UV



PROJECTION