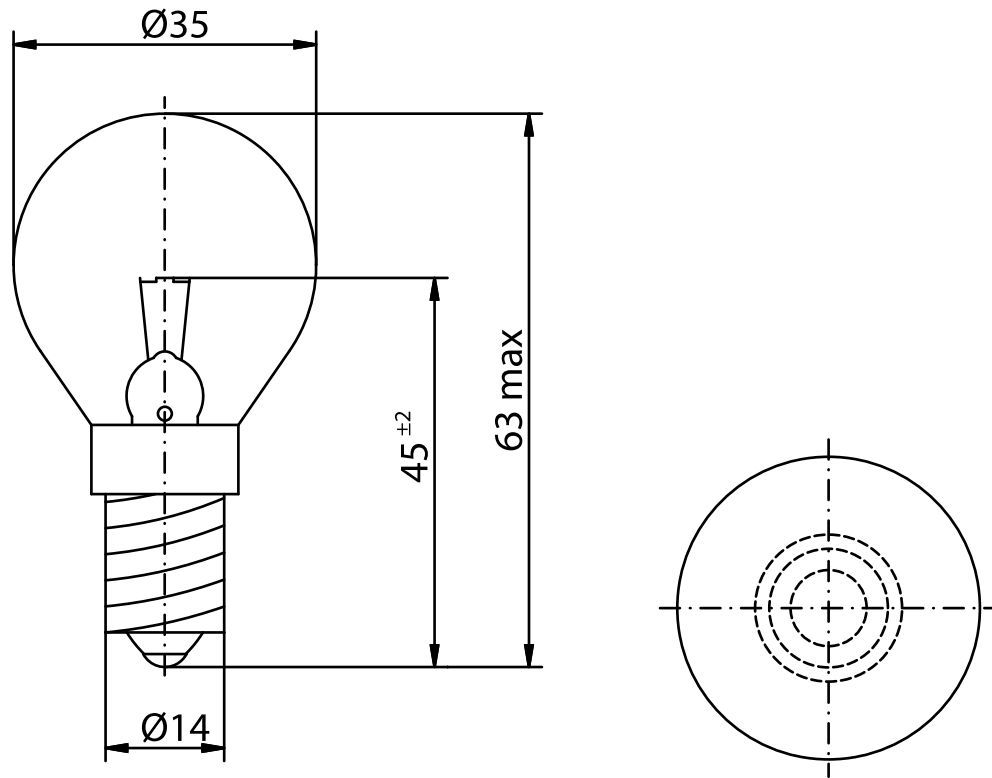


INDUSTRIAL SPECIALTY LIGHTING

Industrial medical - Datasheet



MEDICAL LAMPS - 6V 5A E14 DR. FISCHER 8100

PRODUCT NUMBER **302843016**

[]

Tol.

| | | | |
|----------------|-------------|------|-----|
| VOLTAGE | 6 | V | |
| WATTAGE | 30 | W | ±5 |
| LUMEN OUTPUT | 385 | LM | ±10 |
| LUMEN PRO WATT | 12.8 | LM/W | |
| AVERAGE LIFE | 800 | H | |
| BASE | E14 | / | |
| REMARKS | 8100 F/74 | | |
| BRAND | DR. FISCHER | | |



MEDICAL



ENTERTAINMENT



TRAFFIC



MARINE



RAILWAY



AIRFIELD



VARIOUS



TAILOR MADE



IR / UV



PROJECTION